

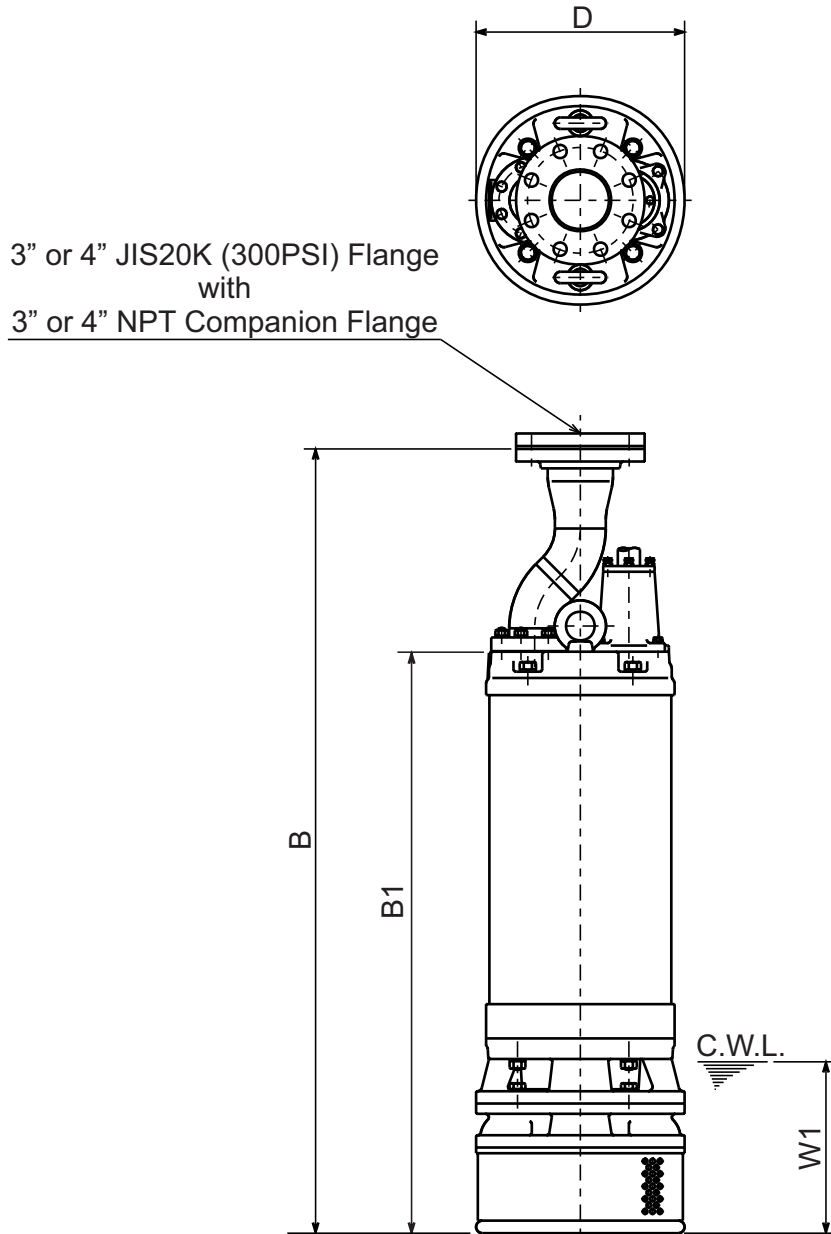


TSURUMI PUMP

**LH-W SERIES
HIGH HEAD - DEWATERING PUMPS**

DIMENSIONS

**LH322W-61
LH430W-61**



DIMENSIONS:USCS (Inch)

C.W.L. : Continuous running Water Level

Model	HP	NOM. SIZE	Pump & Motor			C.W.L.	Wt. (lbs.)
			B	B1	D	W1	
LH322W-61	30	3"	48 5/8	38 1/2	13	11 3/4	670
LH430W-61	40	4"	54 1/8	40 1/16	14 3/8	11 3/4	715

DIMENSIONS:METRIC (mm)

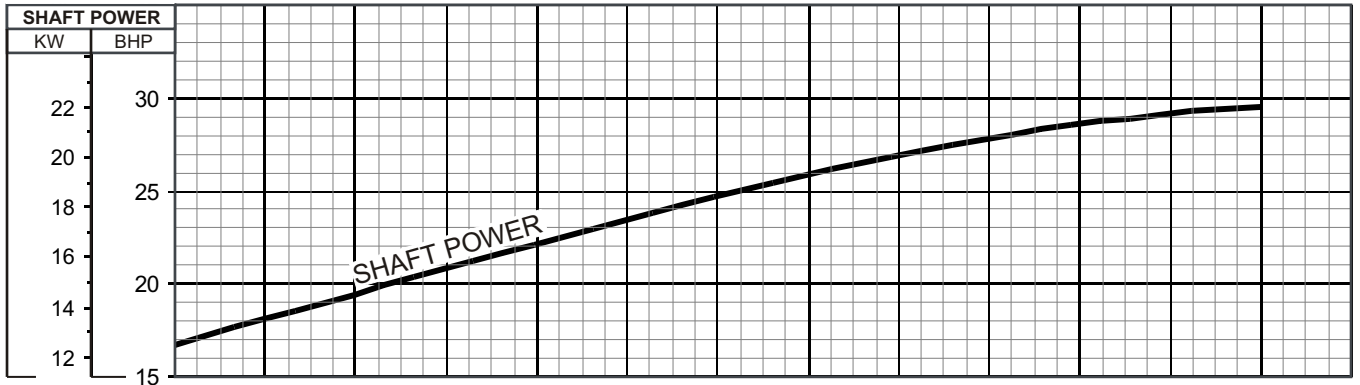
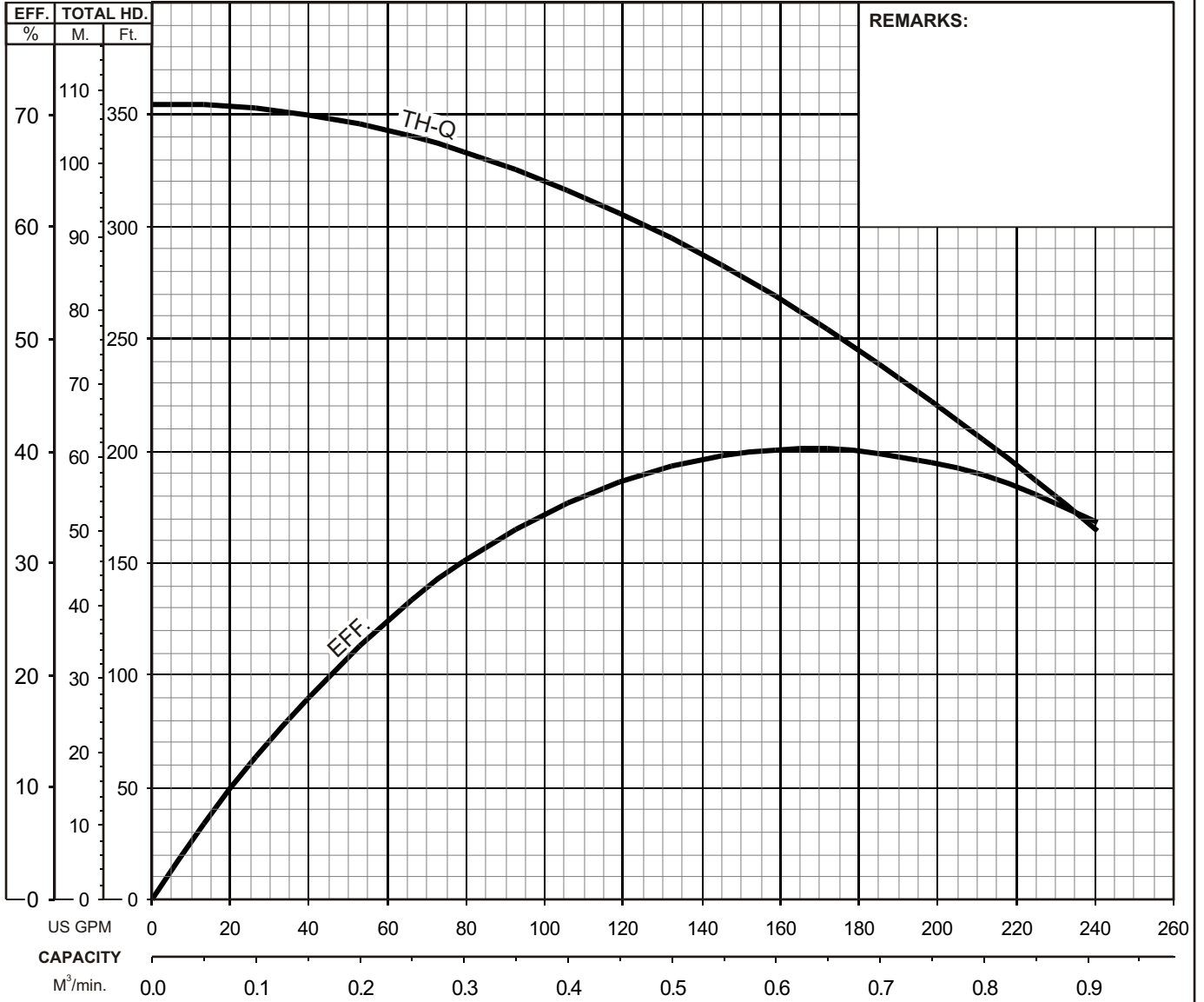
Model	HP	NOM. SIZE	Pump & Motor			C.W.L.	Wt. (kg)
			B	B1	D	W1	
LH322W-61	22	80	1235	978	330	300	304
LH430W-61	30	100	1375	1018	365	300	324



LH-W SERIES HIGH HEAD - DEWATERING PUMPS

PERFORMANCE CURVE

MODEL	BORE	HP	KW	RPM	SOLIDS DIA	LIQUID	SG.	VISCOSITY	TEMP.
LH322W-61	3"/80mm	30	22	3490	0.334"/8.5mm	Water	1.0	1.123 cSt	60°F
PUMP TYPE		PHASE	VOLTAGE	AMPERAGE		HZ	STARTING METHOD		INS. CLASS
High Head Dewatering Pump		3	460 / 575	35.5 / 28.0		60	Direct On Line		B
CURVE No.	DATE	PHASE	VOLTAGE	AMPERAGE		HZ	STARTING METHOD		INS. CLASS
-	-	-	-	-		-	-		-

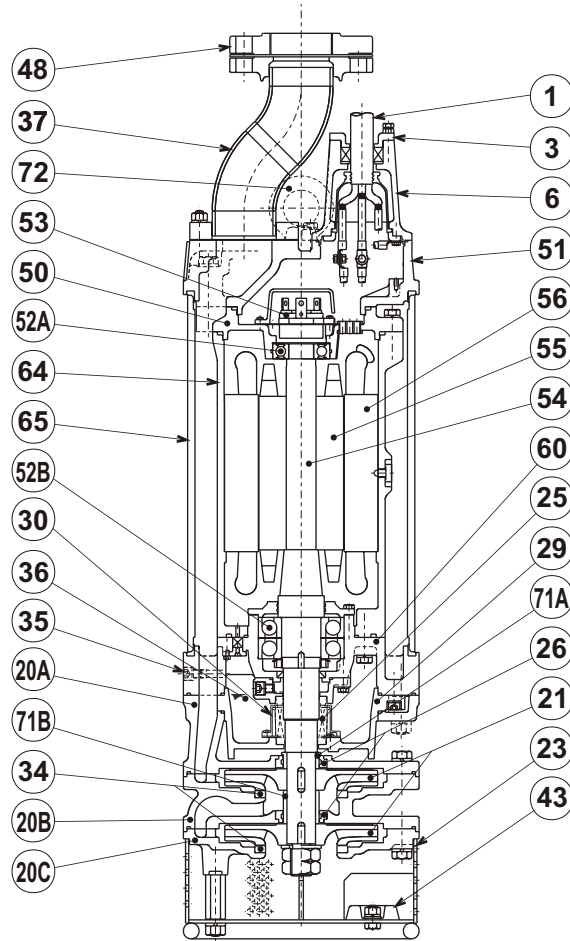




LH-W SERIES
HIGH HEAD - DEWATERING PUMPS

SECTIONAL VIEW

LH322W-61



ITEM#	DESCRIPTION	MAIN MATERIAL / NOTE	ASTM, AISI CODE	RELATED EN CODE	Q'TY
1	Power Cable	Chloroprene Sheath AWG4/4-65ft			1
3	Gland	Cast Iron	A48M Class30B	EN 1561 GJL-200	1
6	Stuffing Box	Cast Iron	A48M Class30B	EN 1561 GJL-200	1
20A	Upper Pump Casing	Cast Iron	A48M Class30B	EN 1561 GJL-200	1
20B	Middle Pump Casing	Cast Iron	A48M Class30B	EN 1561 GJL-200	1
20C	Lower Pump Casing	Cast Iron	A48M Class30B	EN 1561 GJL-200	1
21	Impeller	High Chrome Cast Iron	A532 Class TypeA	DIN 1695 G-X260Cr27	2
23	Suction Strainer	Steel	A283 Grade D	EN 10025 S275	1
25	Mechanical Seal	Silicon Carbide / HT-4550N			1
26	Labyrinth Ring	Stainless Steel	S 30400	1.4301	2
29	Oil Casing	Cast Iron	A48M Class30B	EN 1561 GJL-200	1
30	Oil Lifter	PBT Resin W/GF40			1
34	Mouth Ring	High Chrome Cast Iron	A532 Class TypeA	DIN 1695 G-X260Cr27	2
35	Oil Plug	Stainless Steel	S 30400	1.4301	3
36	Lubricant	Turbine Oil ISO VG32 or SAE 10W-20			
37	Discharge Pipe	Steel Pipe (& Steel) / 3" JIS20K	A53 Type F (& A283 Grade D)	DIN 1615 St 33 (& EN 10025 S275)	1
43	Cathodic Protection Plate	Aluminium Alloy			2
48	Companion Flange	Cast Iron / NPT 3" JIS20K	A48M Class30B	EN 1561 GJL-200	1
50	Motor Bracket	Cast Iron	A48M Class30B	EN 1561 GJL-200	1
51	Head Cover	Cast Iron	A48M Class30B	EN 1561 GJL-200	1
52A	Upper Bearing	#6307ZZC3			1
52B	Lower Bearing	#7311ADBC3			1
53	Motor Protector				1
54	Shaft	Stainless Steel	S 42000	1.4028	1
55	Rotor				1
56	Stator				1
60	Bearing Housing	Cast Iron	A48M Class30B	EN 1561 GJL-200	1
64	Motor Housing	Cast Iron	A48M Class30B	EN 1561 GJL-200	1
65	Outer Cover	Steel	A283 Grade D	EN 10025 S275	1
71A	Shaft Sleeve (Upper)	Stainless Steel	S 40300	1.4000	1
71B	Shaft Sleeve (Lower)	Stainless Steel	S 40300	1.4000	1
72	Lifting Lug Bolt	Stainless Steel	S 30400	1.4301	2

PARTS LIST		HI PRESSURE DEWATERING PUMP			5/23/2017	
ITEM	PART No.	DESCRIPTION	QTY	SIZE	MATERIAL	NOTES
1	141-005-18	Hex.Nut	3	M8	SUS304	
2	010-143-10	Cable Clip	2	No.5	SPC	
3	140-054-19	Hex.Bolt	3	M8x20	SUS304	
4	001-007-73	Cabtyre Cable Set (65') 460-575V 60Hz(USA)	1	2PNCTF4Cx22mm2	No.7	
5	011-110-11	Shackle	1	6mm(M8,SC)	SS	
6	095-100-18	Chain	1	d5(9-Link)	SS	
7	072-103-23	Eye Bolt	2	M24	SUS304	
8	140-056-53	Hex.Bolt	4	M8x30	SUS304	included in ITEM#4 cable assembly
9	141-005-18	Hex.Nut	4	M8	SUS304	included in ITEM#4 cable assembly
10	003-000-15	Gland	1	KRS-819/822	FC	included in ITEM#4 cable assembly
11	004-134-19	Cable Bush	1	d33xd58.5x24l	NBR	included in ITEM#4 cable assembly
12	005-123-18	Bush Washer	1	d35xd57x3.2t	SPC	included in ITEM#4 cable assembly
13	140-076-17	Hex.Bolt	4	M10x30	SUS304	
14	142-164-19	Spring Washer	4	M10	SUS304	
15	006-119-27	Stuffing Box	1	No.7	FC	included in ITEM#4 cable assembly
16	122-135-19	O-Ring	1	G-120(119.4xd3.1)	NBR	*
17	008-132-19	Mould Cover	1	KRS-819/822(L)	NBR	included in ITEM#4 cable assembly
18	003-149-14	Gland (Lower)	1	No.5	FC	included in ITEM#4 cable assembly
19	141-004-59	Hex.Nut	3	M6	SWRM	
20	009-168-17	Terminal	3	R-22-S6	CU	included in ITEM#4 cable assembly
21	009-107-18	Terminal	3	R-14-6	CU	
22	140-029-28	Hex.Bolt	3	M6x10	SWRM	
23	002-115-18	Heat Shrink Tube (Sold per meter)	m	EVA(d16.5x1t)	(Vm)	
24	002-116-19	Heat Shrink Tube (Sold per meter)	m	A4(d20x0.35t)	(Vm)	
25	009-168-17	Terminal	1	R-22-S6	CU	included in ITEM#4 cable assembly
26	140-033-12	Hex.Bolt	4	M6x16	SUS304	
27	141-007-10	Hex.Nut	8	M12	SUS304	
28	142-165-10	Spring Washer	8	M12	SUS304	
29	144-422-30	Stud Bolt	8	M12x40 (22/24)	SUS304	replaces OLD part# 144-000-46
30	037-350-15	Flanged Discharge Pipe	1	80mm JIS20K,GHZ322W	SGP+SS	
31	121-447-14	Packing	1	d78xd152x1t	THREE SHEET	*
32	140-134-14	Hex.Bolt	4	M16x90	SUS304	
33	142-166-11	Spring Washer	4	M16	SUS304	
34	142-353-17	Seal Washer	4	SM-16	SUS+NBR	*
35	051-222-11	Motor Head Cover	1		FC	
36	122-147-14	O-Ring	1	G-180(179.3xd5.7)	NBR	*
37	143-030-18	Pan Screw	2	M5x14	SWRM	
38	209-029-11	Cover	1		FC	
39	143-032-10	Pan Screw	2	M5x16	SWRM	
40	053-000-58	Motor Protector 460V-60Hz(USA)	1	KA316-NSTL00	(B.C)	
	053-000-57	Motor Protector 575V-60Hz(USA)	1	KA316-NEZL00	(B.C)	
41	058-168-19	Protector Fixing Plate	1	d62xd100x0.8t	SPC	
42	016-113-19	Lead Wire Protection Bush	2	GH-422/430(for 3 cores)	SBR	
43	140-100-11	Hex.Bolt	6	M12x45	SUS304	

* Indicates items included in set

PARTS LIST		HI PRESSURE DEWATERING PUMP			5/23/2017	
ITEM	PART No.	DESCRIPTION	QTY	SIZE	MATERIAL	NOTES
44	142-165-10	Spring Washer	6	M12	SUS304	
45	050-407-19	Motor Bracket	1		FC	
46	142-199-13	Wave Washer	1	6208/6307	SK5	
47	052-110-18	Bearing	1	6307ZZC3		
48	122-127-18	O-Ring	1	G-80(79.4xd3.1)	NBR	*
49	121-454-14	Packing	1	d291xd307.8x16.4t	NBR	*
50	065-340-19	Outer Cover	1	GHZ-322W	SS	
51	121-454-14	Packing	1	d291xd307.8x16.4t	NBR	*
52	055-763-11	Rotor	1Set			
53	147-132-13	Impeller Key	2	10x8x25L	SUS420	
54	056-002-10	Stator 460V-60Hz(USA)	1Set			
	056-A61-15	Stator 575V-60Hz(USA)	1Set			
55	122-153-13	O-Ring	1	G-220(219.3xd5.7)	NBR	*
56	064-389-20	Motor Frame	1		FC	
57	122-259-10	O-Ring	1	12xd3	NBR	*
58	144-490-13	Stator Set Bolt	1	M12(B=21)	SUS403	
59	122-171-17	O-Ring	1	V-150(148.5xd4)	NBR	*
60	122-150-10	O-Ring	1	G-195(184.3xd5.7)	NBR	*
61	121-463-16	Packing (Felt)	2	4x4.4x217l	Felt	
62	140-055-49	Hex.Bolt	4	M8x25	SWRM	
63	062-210-10	Bearing Cover	1	d55.5xd160x22t	FC	
64	052-120-11	Bearing	1Set	7311ADBC3		
65	142-244-14	Bearing Washer	1	AW11	SPCC	
66	141-076-10	Bearing Nut	1	AN11	SS	
67	026-272-18	Oil Seal	1	SC-50689	NBR	
68	060-424-13	Bearing Housing	1		FC	
69	121-247-12	Packing	3	d12.3xd18x2t	PE	*
70	035-113-18	Oil Plug	3	M12x14	SUS304	
71	142-165-10	Spring Washer	6	M12	SUS304	
72	140-100-11	Hex.Bolt	6	M12x45	SUS304	
73	122-127-18	O-Ring	1	G-80(79.4xd3.1)	NBR	*
74	028-000-27	Seal Housing	1	LH322W/430W-51/61	FC	
75	121-247-12	Packing	1	d12.3xd18x2t	PE	*
76	035-113-18	Oil Plug	1	M12x14	SUS304	
77	142-163-18	Spring Washer	4	M8	SUS304	
78	140-055-10	Hex.Bolt	4	M8x25	SUS304	
79	004-176-13	Cable Bush	1	LH322W/430W-51/61	NBR	
80	003-207-11	Gland	1	LH322W/430W-51/61	FC	
81	142-161-16	Spring Washer	2	M5	SUS304	
82	140-019-12	Hex.Bolt	2	M5x16	SUS304	
83	025-000-04	Mechanical Seal	1	HT-4550N	SiC	
84	143-070-23	Pan Screw	2	M5x6	SWRM	
85	030-136-12	Oil Lifter	1	HT-4550	Resin	
86	143-070-10	Pan Screw	6	M5x6	SWRM	

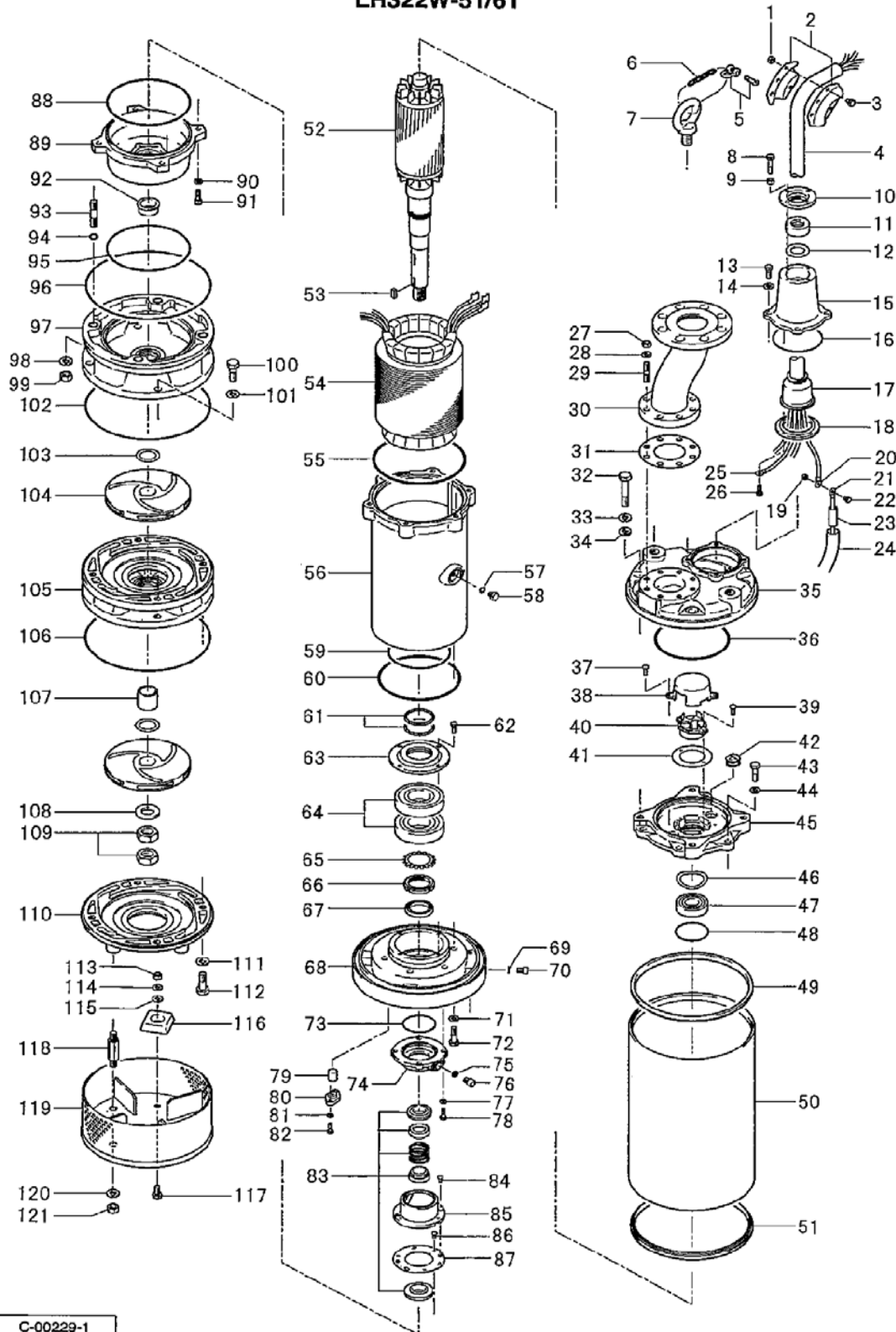
PARTS LIST		HI PRESSURE DEWATERING PUMP			5/23/2017	
ITEM	PART No.	DESCRIPTION	QTY	SIZE	MATERIAL	NOTES
87	030-145-14	Seal Stopper	1	HT-4550	SPCC	
88	122-251-12	O-Ring	1	205xd3.8	NBR	*
89	029-000-90	Oil Casing	1	LH322W/430W	FC	*
90	142-164-19	Spring Washer	4	M10	SUS304	
91	140-286-12	Hex.Socket Cap Bolt	4	M10x30	SUS304	
92	071-299-11	Shaft Sleeve (Upper)	1	d40xd50x23t	SUS403	
93	144-438-26	Stud Bolt	4	M16x55(28/24)(JIS)	SUS304	
94	122-016-13	O-Ring	4	P-16(15.8xd2.4)	NBR	*
95	122-251-12	O-Ring	1	205xd3.8	NBR	*
96	122-295-18	O-Ring	1	310xd3.8	NBR	*
97	020-002-92	Pump Casing (Upper)	1	GHZ-322W(w/Labyrinth Ring)	FC+SUS	interchangeable with OLD part# 020-893-13 (change labyrinth ring)
97a	026-000-35	Labyrinth Ring	1		SUS403	included with item #97 pump casing
98	142-166-11	Spring Washer	4	M16	SUS304	
99	141-008-11	Hex.Nut	4	M16	SUS304	
100	140-125-12	Hex.Bolt	4	M16x45	SUS304	
101	142-166-11	Spring Washer	4	M16	SUS304	
102	122-295-18	O-Ring	1	310xd3.8	NBR	*
103	040-126-10	Impeller Shim		d41.5xd59x0.3t	SUS304	
104	021-F90-10	Impeller (50Hz)	2	LH322W-51	HiCrFC	50Hz OPTION
104	021-F91-11	Impeller (60Hz)	2	LH322W-61	HiCrFC	
105	020-002-93	Pump Casing (Middle)	1	w/Mouth Ring, Labyrinth Ring	FC	interchangeable with OLD part# 020-894-14 (change labyrinth ring)
105a	026-000-35	Labyrinth Ring	1		SUS403	included with item #105 pump casing
106	122-295-18	O-Ring	1	310xd3.8	NBR	*
107	071-300-16	Shaft Sleeve (Lower)	1	d40xd50x47t	SUS403	
108	142-134-10	Plain Washer	1	M30	SUS304	
109	141-012-50	Hex.Nut	2	M30(H=18)	SUS304	
110	020-895-15	Pump Casing (Lower)	1	GHZ-322W(w/Mouth Ring)	FC+HiCrFC	
111	142-166-11	Spring Washer	4	M16	SUS304	
112	140-126-13	Hex.Bolt	4	M16x50	SUS304	
113	141-007-10	Hex.Nut	2	M12	SUS304	
114	142-165-10	Spring Washer	2	M12	SUS304	
115	142-129-12	Plain Washer	2	M12	SUS304	
116	043-102-19	Cathodic Protection Plate	2	AB-1HS(75x70x20t)	Al	
117	140-096-13	Hex.Bolt	2	M12x25	SUS304	
118	144-128-17	Stud Bolt	4	M16x110(24/24)	SUS403	
119	023-001-23	Strainer Stand	1	LH322W-51/61	SS	
120	142-166-11	Spring Washer	4	M16	SUS304	
121	141-008-11	Hex.Nut	4	M16	SUS304	
		NPT Flange Version				
	048-000-54	Screwed Flange	1	NPT-3(JIS10K)	FC	
	121-105-33	Packing	1	JIS10Kx80mm	NR	
	140-129-16	Hex.Bolt	8	M16x65	SUS304	
	141-008-11	Hex.Nut	8	M16	SUS304	
	142-166-11	Spring Washer	8	M16	SUS304	

PARTS LIST		HI PRESSURE DEWATERING PUMP			5/23/2017	
ITEM	PART No.	DESCRIPTION	QTY	SIZE	MATERIAL	NOTES
	173-524-17	Packing O-Ring Set	1Set	(Marked by *)		
16	122-135-19	O-Ring (S.Box)	1	G-120(119.4xd3.1)	NBR	*
31	121-447-14	Packing (Discharge Pipe)	1	d78xd152x1t	THREE SHEET	*
34	142-353-17	Seal Washer (Motor Head Cover bolt)	4	SM-16	SUS+NBR	*
36	122-147-14	O-Ring (Head Cover/M.Bracket)	1	G-180(179.3xd5.7)	NBR	*
48	122-127-18	O-Ring (Upp. Bearing)	1	G-80(79.4xd3.1)	NBR	*
49	121-454-14	Packing (M.Bracket/Out.Cover)	1	d291xd307.8x16.4t	NBR	*
51	121-454-14	Packing (Out.Cover/Brg.Housing)	1	d291xd307.8x16.4t	NBR	*
55	122-153-13	O-Ring (M.Bracket/M.Frame)	1	G-220(219.3xd5.7)	NBR	*
57	122-259-10	O-Ring (Stator Set Bolt)	1	12xd3	NBR	*
59	122-171-17	O-Ring (M.Frame/Brg.Housing)	1	V-150(148.5xd4)	NBR	*
60	122-150-10	O-Ring (M.Frame/Brg.Housing)	1	G-195(184.3xd5.7)	NBR	*
69	121-247-12	Packing (Oil Plug)	3	d12.3xd18x2t	PE	*
73	122-127-18	O-Ring (Brg.Housing/Seal Housing)	1	G-80(79.4xd3.1)	NBR	*
75	121-247-12	Packing (Air Tightness Test Plug)	1	d12.3xd18x2t	PE	*
88	122-251-12	O-Ring (Brg.Housing/O.Casing)	1	205xd3.8	NBR	*
94	122-016-13	O-Ring (Upp. P.Casing Bolt)	4	P-16(15.8xd2.4)	NBR	*
95	122-251-12	O-Ring (O.Casing/Upp. P.Casing)	1	205xd3.8	NBR	*
96	122-295-18	O-Ring (Brg.Housing/Upp. P.Casing)	1	310xd3.8	NBR	*
102	122-295-18	O-Ring (Upp./Mid. P.Casing)	1	310xd3.8	NBR	*
106	122-295-18	O-Ring (Mid./Low. P.Casing)	1	310xd3.8	NBR	*
		Lubricant		Turbine Oil VG32 2,350ml		

PARTS LIST		HI PRESSURE DEWATERING PUMP			5/23/2017	
ITEM	PART No.	DESCRIPTION	QTY	SIZE	MATERIAL	NOTES

EXPLODED VIEW

LH322W-51/61



C-00229-1

* Indicates items included in set